

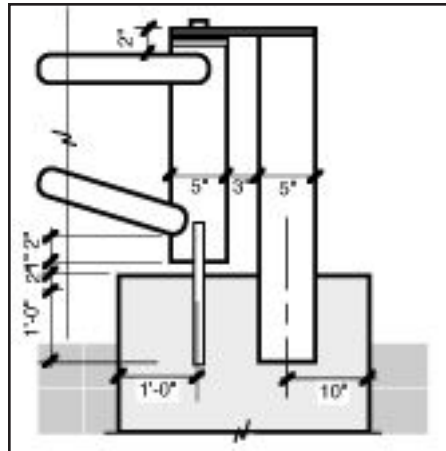
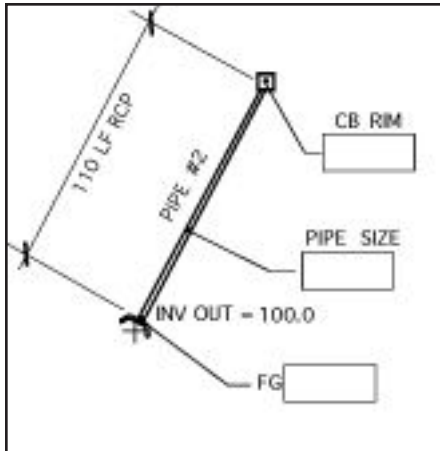
Landscape Architect Registration Examination Preparatory Courses

Grading, Drainage & Construction Documentation

Section 4
January 25-27, 2013

Design
Section 3
February 8-10, 2013

Project & Construction Management
Section 1
Inventory & Analysis: Section 2
March 9-10, 2013



Freeman & Jewell Landscape Architecture

Freeman & Jewell

Landscape Architecture

1422 Peralta Avenue
Berkeley, CA 94702

Freeman & Jewell Landscape Architecture is once again offering our popular series of preparatory courses for candidates taking the Landscape Architect Registration Examination. The courses are offered three times each year in Northern California, usually four to eight weeks prior to the examination dates. Our classes have attracted students from 45 states, five Canadian provinces, Puerto Rico, and The District of Columbia.

Note: All of our classes are current with the new 2012 exam format, and are updated every six months.

"I wanted to take this opportunity to thank you for the support and resources that you provide to aid in preparing for the LARE. I passed A, B, & D on the first try! I also attended the review course that you taught at N.C. State University last May for section E and I passed on the first try! The only section that I did not utilize your resources for was C, and guess what? It took me two tries for that one (passed on the second). That's what I get for straying from a proven preparation system! Thanks again for providing such a valuable service for such a tough exam." Adam Southwell, Holly Springs, NC
May 11, Spr 12

"Just wanted you to know I passed both Sections (C&E) . Thanks so much for the courses, those were KEY, I'm sure of it. Great to have that done and in the past! Have a great autumn." Jesse Young, Denver, CO
Spr 12

"The technical & practical information was great but also learning what to expect from the exam and how to handle it was very valuable. I had failed section E before, took your prep course, took Section E again and passed. I credit your class for my success the second time." Scott Lynch, Claremore, OK
Spr 12

Grading, Drainage & Construction

Documentation:

Section 4 Bootcamp

Landscape Architects Registration Examination

Through lecture, group discussion, and practice exercises, this intensive three day course focuses on preparing students to take Section 4: of the Landscape Architects Registration Examination. This course includes a look at what material is typically covered on the exam and strategy tips on the new advanced item types. **The course will include a short refresher on the fundamentals of grading and drainage.** We will focus on building and reinforcing skills essential to successfully completing section 4 of the LARE. Each student will receive a course syllabus containing approximately 330 pages of information pertinent to Section 4, a minimum of 23 grading and drainage advanced item type problems, and 100 test questions. Lectures, practice tests, practice exercises, question and answer sessions are part of the class.

The program includes

Overview of the Exam including question formats
Exam Preparation Techniques
Practical Techniques for Solving the new Advanced Type Problems
Grading Principles
Foundation Systems and Setting Finish Floors
Interpretation of Soil Maps and Reports
Watershed Planning
Accessibility Requirements
Roadway Grading
Vision Cone Problem Solving
Effects of Urbanization on Watersheds
Storm Drainage and Stormwater Management Principles
Elements, Functions and Design of Storm Water Ponds and Dams
Construction Documents
Specifications
Sedimentation and Erosion Control
Stormwater Computations
Selection of Construction Materials
Construction Detailing
Structural Considerations
Irrigation Systems

"I want to thank you for your great teaching. I don't know how I could have passed without taking your classes. They enabled me to pass each exam on the first try. I couldn't have done it without all the tricks and tips you gave us." Phoebe Mc Cormick, Berkeley, CA Oct 10

Instructor

Ray Freeman, is a principal of Freeman & Jewell Landscape Architecture and has more than 35 years of experience as a Landscape Architect. His specialty areas include site planning, layout and grading plans, sedimentation control, storm drainage and storm water management design, pond design, environmental permitting, and construction detailing. Mr. Freeman has taught this section of the LARE review since the Spring of 2000. He also taught grading and drainage in the Landscape Architecture program at the University of California at Berkeley between 1995-1999 and currently teaches Site Engineering for Landscape Architects at the Academy of Art University in San Francisco.

Date, Time and Location

January 25-27, 2013. Friday -Saturday-Sunday 8:30 am-6:30 pm. Location: LaQuinta Inn and Suites, 920 University Ave., Berkeley, CA, 94702. A map and directions will be furnished upon enrollment.

Each Participant will need to bring the following supplies

- Engineers scale
- Parallel glider or portable drafting board
- Adjustable triangle and small 45 & 30/60 triangles
- Drafting tape
- Pencils or leadholders and erasers
- Highlighter
- Calculator with square root capability
- 12-inch roll of tracing paper
- Notepad

"The structure of the course, and the instruction offered by Ray were top notch. He is an expert on taking this exam and grading work, and is able to break down this complicated subject for his students better than anyone I have encountered to date. Everyone in the class received personal attention and assistance, and I cannot sing his praises enough! The quality and depth this workshop covered far exceeded my expectations, and I will be sure to tell everyone I know how wonderful it was. I think this workshop helped me a hundred-fold in being prepared for the exam." Stephanie Coble, Raleigh, NC, Apr 2010

"I'm happy to report that your review course was exactly what I needed to finally get past Section E of the exam. Further proof of the benefit of your review course is found in comparing my various results on section E the four times that I had to take it. I had never passed more than a single vignette on section E. So the awesome turn around I managed this time was great." Justin Ware, Stockton, CA Oct 04

Design

Section 3 Bootcamp

Through lecture, group discussion, and practice test, this intensive three day course focuses on preparing students to take Section 3: Design of the LARE. Students will be exposed to fundamentals of planning and design related skills necessary to pass this section, and problem solving techniques applied to example tests. Each student will receive a course syllabus containing approximately 200 pages of information pertinent to Section 3 of the LARE. There will be a minimum of 16 design advanced item type problems and approximately 170 test questions in the section 3 syllabus.

The program includes

Question Formats
Planning standards used in the Design section
Typical types of problems encountered in Section 3
Social Factors in Design
Site Analysis and Programming
Vehicular and Pedestrian Circulation Systems
Site Planning
Accessibility Requirements
Implications of scale in using LARE design standards
Basic Design Principles
Site Design Principles
Resource Conservation and Management
Floodplains and Wetlands
Graphic Communication
Surveying Standards
Grading Conventions
Cut and Fill Calculations
Principles of Stormwater Management
Circulation System Design
Roadway Design Principles
Noise Attenuation
Lighting Systems

Students will complete short timed tests covering basic skills required in planning and site design. Lectures on topics tested by the exam and encountered in professional practice will be given each day.

Date, Time and Location

February 8-10, 2012. Friday-Saturday-Sunday 8:30 am-6:15 pm. Location: LaQuinta Inn and Suites, 920 University Ave., Berkeley, CA, 94702. A map and directions will be furnished upon enrollment.

Each Participant will need to bring the following supplies

- Engineers scale
- Parallel glider or portable drafting board
- Adjustable triangle and small 45 & 30/60 triangles
- Circle templates
- Drafting tape
- Pencils or leadholders and erasers
- Highlighter
- Calculator with square root capability
- 12-inch roll of tracing paper
- Notepad
- Scissors and several 8.5x11 sheets of stiff vellum

Comments by former students

“Passed section C! For sure I couldn't have done without the intense review class and all the feedback from your e-mail group. Thank you for keeping in touch and clearing my doubts.” Veenu Jayaram, Fremont, CA, Apr 09

“I'm pleased to let you know that I passed both the C and E June exams. Your review classes were a tremendous help in preparing for the exams and I really appreciate your dedication in offering the classes.”
Georgia Leung, Santa Cruz, CA Apr 07

“Just wanted to say thank you once again for a great class this spring. Scores were just posted and I wanted to let you know that I passed section C. I am happy to report that I am done!” Heather Armstrong, Ashland, OR, Apr 08

“The challenging exercises and vignettes were a real strength. The review after completing each exercise and vignette further strengthened my understanding. Instructor was fabulous. I learned everything I needed to know.”

“Been meaning to let you know that I finally passed Section C of the LARE. Your workshop made the difference in enabling me to do this. Thank you for making it an enjoyable and positive experience. Thanks, Ray, for offering these LARE courses and providing a real service to the profession.” Phil Prince, Portland, OR Apr 12

Section 1: Project & Construction Management

Section 2: Inventory & Analysis

Landscape Architects Registration Examination

Through lecture, group discussion, and practice tests, this intensive two day course focuses on preparing students to take the LARE, concentrating on sections 1 and 2 of the exam as well as providing a detailed overview of the exam structure.

The course includes an in depth overview of the exam and exam specific test taking tips. We also cover fundamentals of the impact of a wide variety of typical issues and challenges which affect design and construction processes, as well as regulatory and professional practice impacts on Landscape Architecture. Each student will receive a course binder containing approximately 260 pages of information pertinent to the exam, and 190 example questions, focusing on sections 1 and 2. These materials have been completely reorganized for the new (2012) exam format.

The program includes

- Overview of the LARE; Structure of the exam
- How the exam is scored; Exam preparation strategies and tips
- Project Management
- Scoping, Budgeting and Scheduling
- Programming
- Contracts
- Base Map Development
- Project Coordination
- Bidding and Construction
- Construction Administration
- Change Orders
- Submittals
- Inspections & Construction Documentation
- Site Inventory
- Codes, Regulations & Permitting
- Onsite Investigations
- Information Gathering and Assessment
- Analysis of Existing Conditions
- Social and Cultural Factors Analysis
- Environmental and Physical Analysis
- Interpretation of Stakeholder Input

Students will be given a grounding in the format, goals and requirements of the LARE. Lectures on a variety of topics tested by the exam and encountered in professional practice will be given over both days. An extensive list of typical questions specific to sections 1 and 2 of the exam will be given out and used as mock timed exams. The questions and answers will be then be reviewed as a group exercise led by the instructor.

Exam Overview and Sections 1 & 2

Who Should Attend

This course would benefit candidates for the LARE who are taking the exam for the first time or are having difficulty with sections 1 or 2. Additionally, individuals who would like to further their knowledge of technical and administrative aspects of the topics covered by these sections of the exam could benefit.

Instructor

Ray Freeman is a principal of Freeman & Jewell Landscape Architecture in Berkeley, CA and has over 35 years of experience as a landscape architect. He is also a Certified Professional Erosion and Sedimentation Control Specialist. He has taught as a lecturer at UC Berkeley, Cal Poly San Luis Obispo, UC Davis Extension, Academy of Art University Merritt College and Harvard University. Ray has taught LARE reviews in Northern California and several other states since 2000.

Date, Time and Location

Saturday-Sunday, March 9-10, 2013. 8:30 am-6:15 pm.

Location: La Quinta Inn and Suites, 920 University Ave., Berkeley, CA.

A map and directions will be furnished upon enrollment.

Each participant will need to bring the following supplies

- Engineers scale
- Pencils or leadholders and erasers
- Highlighter
- Calculator with square root capability
- Notepad

For More Information

For specific information or questions, **E-mail** (*this is the preferred method for contact*) Rayfreeman3@comcast.net.

Phone (510) 528-0375. You may also fax questions to this number. Please leave an e-mail address for replies.

Registration Deadlines

Enroll early! Class size is limited to a firm maximum of 28 in each session. The following deadlines have been set for registration:

January 25-27 Class: January 18, 2013.

February 8-10 Class: February 1, 2013.

March 2-3 Class: February 22, 2013.

Registration applications which are postmarked after the deadline for registration will be charged an additional \$25.00.

Cancellation & Refund Policy

Classes may be cancelled or rescheduled due to circumstances beyond our control. In the event a class is cancelled, a full refund will be made for that class.

If your plans change and you will not be able to attend a class for which you have registered, a refund (less a \$75 processing fee) will be given if the cancellation notice is received by the relevant registration deadlines given above. Cancellations after the deadline will be charged \$100.00.

About the location

La Quinta Inn and Suites is located on University Avenue, just a few blocks from I-80. It is a five minute walk from Aquatic Park and less than 5 blocks from the 4th street commercial district. A wide variety of restaurants are within a 5 minute walk. Overnight accommodations include an outdoor pool, fitness room, business center, and complimentary continental breakfast. The rooms have free wi-fi. Off street parking is free to all attendees. Quoted room rates are approximately \$100/night which includes tax. The facility is 12 blocks from the North Berkeley BART Station and less than 4 blocks from the Berkeley Amtrak Station.

Comments by former students

"This course proved to be the deciding factor for me passing. As a project manager, I do grading plans quite often and people look to me for professional guidance. When I took your class, it became crystal clear that I was missing some key elements in my solutions. The practice vignettes in addition to the instructor's insight and experience was what I needed to pass." Darin Nordahl, Redding, CA.

"It's a bloody miracle! After 5 attempts, thousands of dollars and losing pounds of hair, I just found out that I passed my nemesis - Section E....and I owe it largely in part to your study session in San Francisco. Thanks to you I have now passed the LARE." Gyles Thornely, Aspen, CO Apr 07

"I passed multiple choice sections A, B, D, and Site Design section C the first time I took them. I will be taking Grading Section E for the first time in June. Thank you so much for all of your help and support throughout this process. I truly believe that I would not have even come close to passing if I had not taken your classes." Vicky Wilson, Stockton, CA Oct 07

"I am excited to let you know that I passed both sections C and E! I have no doubt that your review courses gave me the tools, momentum and confidence to pass. Your courses covered everything and more that was required to know on the exam. I would recommend anyone taking the test to avoid the anxiety and disappointment I felt after failing both sections in December to take your review course. I also want to thank you for your down to earth, supportive and "demystifying" approach to teaching the review courses." Mary Dewing, Modesto, CA, Apr 06

"Against all odds I passed the grading exam this time! I am so relieved and thankful that I found your class! No one offers the kind of class that you put so much work into--it is so valuable, I can't even tell you! Many thanks again from one happy camper in Michigan!" Nannette Alton, Lansing, MI, Oct 07

"I have now successfully passed all 5 sections. I credit you and your courses for that, and appreciate all that you taught us." Troy Cook, SLC, UT, Apr 08

"Very good at reinforcing basic skills in preparation for the exam. Instructor is great at explanations in a very straightforward manner. I found the practice vignettes to be incredibly valuable and appreciated the overview of each vignette."

"Add me to your every growing list of "hopeless cases" who finally passed Section E after taking your class. I don't know how to thank you enough. I've told everyone in LA about your great weekend boot camp."

Greg Maher, Los Angeles, CA Apr 10

"I passed C & E!!! I am thrilled! I could not have done it without you. You really gave me the skills to do this. Thank you so much for sharing your knowledge with me. Thank you thank you thank you!!!!" Jane Padelford, Washington, DC Oct 10

Complete the form and mail it to

Freeman & Jewell Landscape Architecture
1422 Peralta Avenue
Berkeley, CA 94702

1. Fees

Course fees are as follows:

January 25-27 Class, Section 4 : \$460

February 8-10 Class, Section 3: \$460

March 2-3 Class, Sections 1&2: \$370

Multi-course discount: Subtract \$40 from total fee for any two weekends, subtract \$60 for all three weekends. In order to receive the multiple course discount, you must sign up for courses at the same time.

Registration applications which are postmarked after the deadline for registration will be charged an additional \$25.00. See previous page.

Complimentary soft drinks, coffee, tea, and water are provided as part of the course. Light snacks are provided at breaks.

Please return the Enrollment/Payment form on the next page with your check made out to Freeman & Jewell.

We are unable to accept credit cards. Please do not send cash.

Caltrans has recognized these courses as being eligible for reimbursement as an education/professional development expense.

In order to keep administrative costs down, we are unable to provide advanced documentation to governmental agencies in order for them to cut payment checks directly to us. Please apply for reimbursement after the course. We will be happy to provide certificates of completion upon your request. Acknowledgement of payment and receipts are sent to all registered parties.

"I want to thank you for getting me over the hump. I thought I was close before I took your class, however, your class and teaching really helped to expose my weaknesses. I would gladly recommend your class. I was very impressed with your presentation and knowledge of the material." David Josephus, Durham, NC Apr 07

"I am officially DONE with the LARE. Thank you so much for all your help during this process, your workshops were amazing!!" JP Casillas, San Juan, Puerto Rico

3. Enrollment

Please enroll me in the following courses:

**Grading, Drainage & Construction Documentation:
Section 4 Bootcamp** (Jan 25-27) [\$460]

Design: Section 3 Bootcamp (Feb 8-10) [\$460]

Sections 1&2 Bootcamp (Mar 9-10) [\$370]

Multiple course discount [-\$40 or -\$60]

4. Payment

Number of courses: _____ Total course fees: \$_____

I enclose a check for \$_____ as full payment for all courses selected.
Make checks payable to: Freeman & Jewell.

5. Customer Information (please print legibly)

Note: If you do not want your home address put on the class rosters, please provide your work mailing address instead.

Name: Mr. Ms. _____

Address: _____

City: _____ State: _____ Zip: _____

Telephone: _____(ofc) -shows on class roster-

_____ (cell) -optional

E-Mail: _____

Employer: _____

Important: Please do not send letters requiring a signature (certified, etc.) All registrants will receive a letter and/or e-mail acknowledging your registration.

Additional comments by former students

“I passed both C & E!!!! I'm am so excited!! It was my third try on E and my first attempt on C. I could not have done it without your review courses. It would be almost impossible for me to successfully study for these exams by myself. Thanks so much for taking the time to do these courses, it's been a life saver for me.”

Angie Feser, Helena, MT Spring & Fall 04

“Thank you very much for all your efforts. I really appreciate all your time and every input! I passed all 5 sections with the June and August exams at my first time. I'm sure that I would not be able to achieve this without your prep course and all your help! I've strongly recommended your course to all the people that I know who are going to take the exams.”

Juan Du, Albany, CA Spring & Summer 04

“Thank you very much for your review course! I had taken the grading section three previous times and had also attended review courses by others, but found your course to be the most comprehensive, applicable and helpful in preparing me for this section of the exam. Thank you!”

Melynda Miya, Hanford, CA Oct 03

“Your class was the extra boost that I needed to get me through Section E. Before taking your class I had failed Section E (4) times. Thank you for taking the time to offer an extensive review class for Sec E.”

Chad Wallerstadt, Chicago, IL Oct 07

“I took your your Section D review webinar this past March prior to sitting for Sections A, B and D of the exam. I am very happy to tell you that I passed all three sections on my first attempt!! Your section D review webinar was invaluable in my success! To anyone out there considering taking a review class, I give Ray Freeman's the highest marks! He presents the information that you should be familiar with in a very clear and concise method that makes it very easy to understand what type of material you should be studying. Also, his dedication to preparing you for the exam was really amazing. The webinar I signed up for was originally supposed to be a 2 day (evening) seminar. He extended the webinar by a full day and each day went over the give time allotment to be sure he covered all the material and answered everyone's questions.... all for the original price! Plus, he is always checking into this forum to help shed light on peoples questions! Thanks again Ray!”

Joe (Treedork on Google)

I passed it [E] on my first try! I am ecstatic! I highly doubt that I would have passed it had I not taken his class. And even if I had failed, I would have still said his class was worth every penny.”

Hailey Towne, Seattle, WA Apr 10

“I passed both C & E! That means I have passed all 5 on the first try!!! -and I definitely attribute my success to your classes.”

Stacy Wons, Half Moon Bay, CA Summer & Fall 04

“Thank you so much for your help, I passed 4 of the 5 exams on the first try and I am sure that it is due to your classes and support. I feel that your study courses are a great investment!”

Sara Fix, Sacramento, CA Jul & Oct 08

“I passed both C and E on the first try!!!! Your bootcamps made it happen. Thank you so much for providing such a wonderful service. I tell everyone your classes are essential. Now I have the proof!”

Doug Woodruff, Salt Lake City, UT Oct 07

“I passed Section C and now I am finished with the LARE! still in shock... I attended the Sec C workshop in San Francisco this past fall . . . rainy but so informative. I believe with all of my heart that I never would have passed Sec C and E (North Carolina) had I not attended your workshops. A HUGE thanks for ALL of your dedication . . . I am forever grateful.”

Victoria Silverman, Long Island, New York Oct 10

“Just wanted to send the good news that I passed section C! That was my last exam, so I'm ready to send in the paperwork for my license. I'm super excited and want to thank you for coming up to Seattle to teach your Section E and C workshops this past year. Both workshops helped me pass on the first attempt and get my studying kick started.”

Amy Lindemuth, Seattle, WA Apr and Oct 10

“I wanted to let you know that I finally passed the <E> exam! The review course was instrumental in this process and gave me the knowledge and confidence that I needed to finally pass. The problems you gave us were more difficult than anything on the exam but, the degree of difficulty really helped to get the concepts to click for me. Thanks, Ray.”

Annette Walby, Minneapolis, MN Oct 10

“Your <E> class was an excellent review and it really set me on the right track. I worked all of your problems and the ASLA web-site vignettes prior to the exam. I'm really pleased to put it behind me. Thanks for all your help, I would definitely recommend your review course to others.”

Jeff Torrens, Schaumburg, IL May 11

“I want to thank you for everything your classes [C&E] and vignettes offered. I PASSED on the first try!! I'm completely done with the LARE. Now it's onto bigger and better things--most importantly living life! My feet still haven't touched the ground! :-)”

Anne Hanenburg, Spokane, WA Apr 11

“I finally passed Section E! It's been a long struggle, but very rewarding to have finally conquered such a huge challenge. Thank you again for all you did to get me to this place. Both of your review courses and your tutoring sessions finally tipped the scale. I would never have been able to do this on my own. You haven't seen the last of me, though. I'll be back in the fall to take your Section C review course with renewed energy and determination. Thanks again!”

Cathryn Rose, Santa Rosa, CA Apr 11

“What a thrill!!!...and relief. I passed my final hurdle, Section C! There's no way I would have made it without your course material, thoughtful teaching skills and genuine emotional support. THANK YOU. This road to licensure has been long and unbelievably challenging, but now I know my goal is within reach. Thank you again. You gave me all the tools I needed to succeed.”
Cathryn Rose, Santa Rosa CA, Oct 11

“I passed section E and am now DONE! I can't believe I was able to pass all of the exams on my first try - thanks to your help of course! I am going to sign up to take the CSE next month and I will be a licensed landscape architect! holy smokes! P.S. - if you need any new testimonials for your website/brochures I would be happy to compose one. Your classes were invaluable. Thanks a bunch Ray!”
-Lea Allen, Sacramento, CA Oct 10

“Ray, I never got to thank you for your wonderful classes and what a difference they made for me. I passed both C and E last December and I think your classes made the difference!” Doug Rooney, Hayward, CA Oct 10

“I wasn't sure if you kept a tally of passing workshop attendees, but if you do, put me on the passing column! I attended your Section E workshop in NC and passed the last exam in June 2011. I am finally registered and LARE is behind me! Thank you for giving me the tools I needed to succeed. I appreciate your help!”
Robin Pelensky, ASLA, Stuart, FL

“I passed <E>. Yay! Thank you for all your hard work and thoughtfulness with SO many candidates. It is truly appreciated.” Jan Satterthwaite, Seattle, WA Nov 10

“I passed both! After 4 or 5 or 6 attempts at C & E (I lost count) before taking your class you can imagine how ecstatic I was to see my results!” Erika Gendreau, Redwood City, CA Oct 11

“I'd like to thank you for your excellent LARE preparation courses. I had trouble with Sections D and E. I failed D on my first attempt, then took your section D webinar - and passed on my second attempt. I failed E twice, then took you section E workshop - and just found out I passed on my third attempt. Thanks again for your excellently guided webinars and workshops.”
Steven Chavez, Los Angeles, CA, Nov 11

“3 times a charm! I finally passed section E!!! Your advanced course definitely helped me tackle that beast with confidence and the proper strategies to finally slay it!! You did a great job of showing us how to work through the problems systematically. This was my last test, I'm done! Thanks, and hopefully you have lots of other students with same great news!!!” Holly Williams, Tacoma, WA Nov 11

“Thank you so much for offering your study sessions. I do not believe I would have passed Section E without your help.” Beth Brownlee, Mount Pleasant, SC Oct 10

“I finally PASSED Section E! I could not have done it without you. Thank you for coming to N.C. State. And I am forever in debt to you. If there is ever a way I can repay you please let me know. Passing this test affirms my professional ability within Landscape Architecture. I've already started a company (from being RIF'd at my last employer) doing planting design. I am now ready to move forward with my Landscape Architecture, land planning, and environmental management company. Thank you once again. Your expertise truly expands from West Coast to here on the East Coast!” Ryan Mcalister, Wilmington, NC May 11

“I took only your E boot camp in October but I think the lessons learned from that helped to get me mentally prepared for C, too. I took another C class; A horrible waste of money -- no explanation of the "whys" and the vignettes were full of mistakes. I would have much preferred to have another trip to Marin and give you my money. Please send anyone who <wants a recommendation> my way!!”
Laura Ballock, Pasadena, CA Nov 11

“Passed <C>....and honestly don't know how people pass without taking your class. Invaluable. Thanks so much.” Diane Zock, Venice, CA Oct 11

“I'm so thrilled to let you know that I've finally passed Section E. Without your review classes, there's no way I could've pass any of these damn exams -- especially grading! Thank you!” Riz Gache, San Francisco, CA Nov 11

“I just wanted to let you know that I kept plugging away and finally passed all 5 sections of the LARE (took section E in June to finish)!!!! It was so interesting - because I felt sure that I failed again, yet I passed! Thank you so much for your prep courses! They are fabulous (I took all of them) :-)”
Kelly Matson Ward, Napa CA Nov 10

“Got news today that I passed Section E I had to read the result several times before I believed it! Thanks again for the excellent boot camps and email support.”
Jocelyn Freilinger, Seattle, WA Oct 10

“I passed! <E> This was my third sitting. Thank you so much for all of your help. I give you a lot of the credit. You helped me to focus on the important things to study, gave me a much better strategy, and gave me confidence in my graphics. I found that I did not spend as much time second guessing myself on my solutions. I knew that I had done my best and I could move on to the next problem with confidence. I have passed all of the national exams. Again, thank you. The class was a pleasure.” Lynn Yu, San Jose, CA Nov 11

“I just found out that I passed section E on my first time around!! Your class and practice vignettes were a crucial component for my success! Thank you!”
-Rachelle Silva, Carpinteria, CA Apr 11

“I took both C and E, and passed C. I didn't have enough time to finish one of the E problems. Probably the reason I failed. But I didn't struggle as much as I thought I would. I needed a bit more preparation and to not stress out too much and better time management. I have all ready passed A, C, and D. I am retaking B on the this month and planning to retake E in June. I am glad I took all your classes and that I took both exams this time to obtain experience taking E. I have recommended your class to other Cal Poly students and some of my old class mates. Hope everything goes well when the system changes and that you keep on teaching these great courses. Take care and thanks for everything.” Jose Garcia, Upland, CA Jul & Oct 11

“I have passed Section E as of December 2011.....which I am absolutely thrilled about! I took your Boot camp course for Section E in Raleigh, North Carolina, and flew out to San Francisco for a follow-up Boot camp for Section C and Sections A and D. Not only did I pass the exams, but more importantly, I have met some of the most amazing people from all over the United States. My colleagues Victoria Silverman, Roger Sherry and Robin Pelensky who have all taken your course and are now registered landscape architects are also some of my closest and dearest friends. What I have gained from attending your workshop is not only knowledge, and understanding but it has enriched my life far beyond measure by the people which I have met along the way. Thank you for everything”
Sandra J. Neal OALA, CSLA Ontario, Canada 2010-11

“I passed Section E!!! What a huge relief. Thanks again for mentoring us all through this. I do not think I would have passed without taking your class. You provided me with a process that kept me grounded and focused.”
Kris Barker, Chicago, IL Nov 2010

“Thanks so much for being a great instructor and really opening my eyes (and brain) up to what/how I need to prepare for. I found that your guides, explanations, vignettes , and your course were EXTREMELY helpful. I don't know how someone who had no experience dealing with CLARB's reference manual and LARE-land would pass these exams. Thank you again for your help and time.” Connie Chao, Fremont, CA Fall 2012

“If I had not gone to your class I would not have had a prayer in solving the problems on the December exam. I feel like I did very well, especially with the first 3 problems. I can definitely design a pond now and I am so much better at checking the grades as I go.” Jeanine Thompson, Loudonville, NY, Oct 09

“I passed both C & E!!!! I'm ecstatic! I definitely couldn't have done it without your class! Thanks so much. The class was a great investment!”
Sherri Osaka, San Jose, CA Oct 08