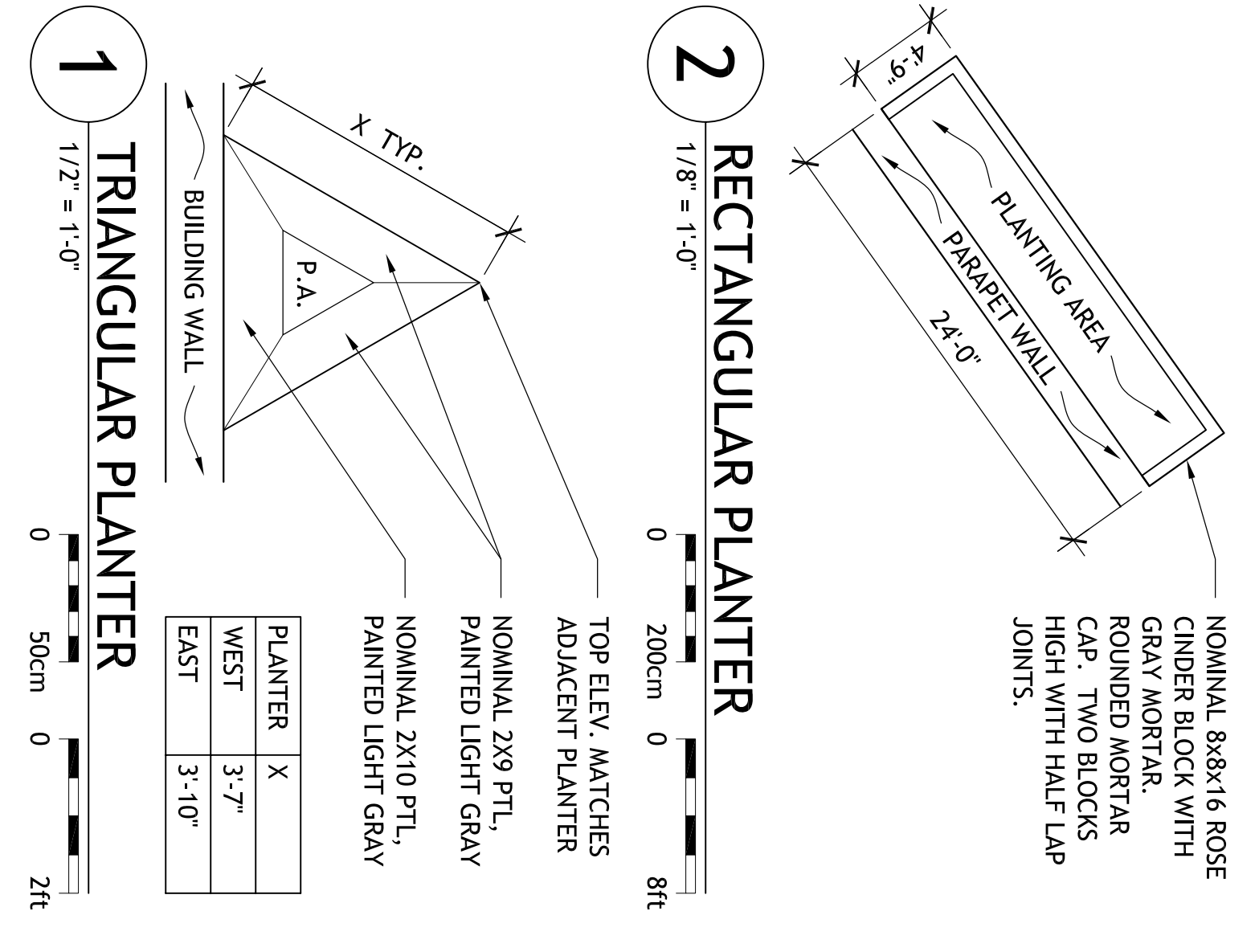
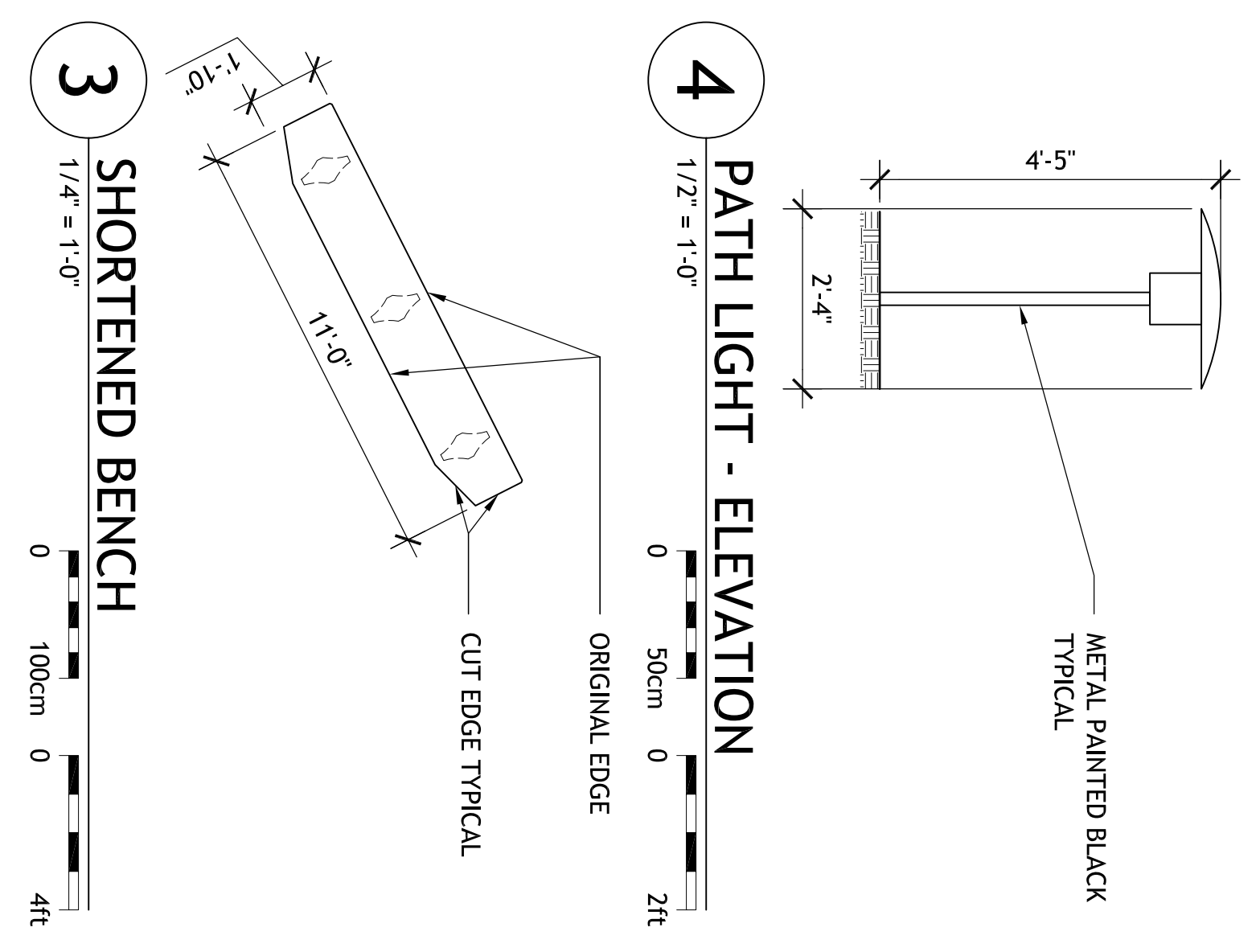
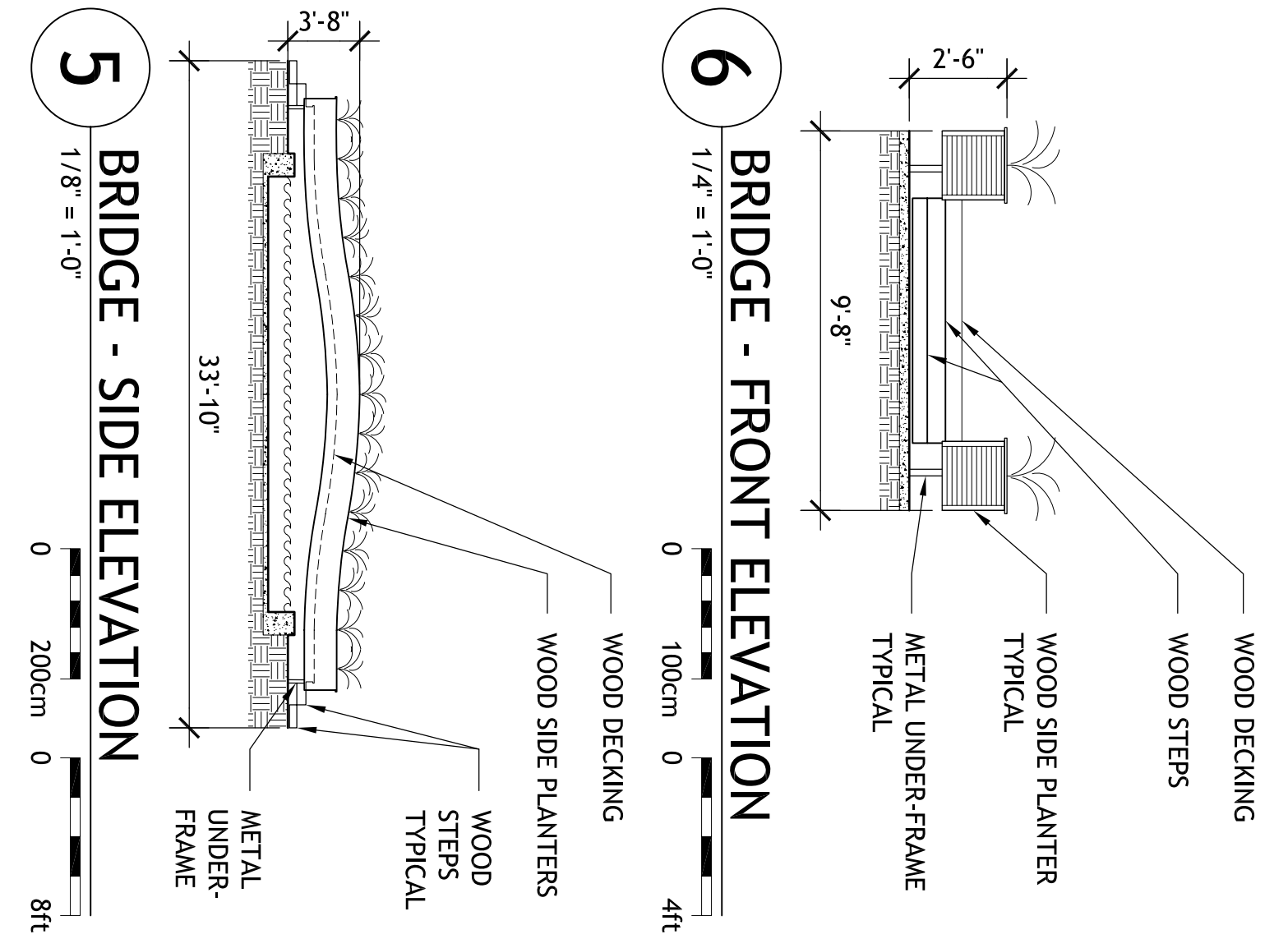


SYMBOL	FINISH	CONCRETE COLOR	EXPOSED PEBBLES	COMMENT
(A)	Exposed aggregate	Dark gray	1/2" - 1" lat. gray & brown	Original finish
(B)	Exposed aggregate	Light pink gray	1/2" - 3/4" lat. brown & white	Original finish
(C)	Exposed aggregate	Light pink gray	1/4" - 1" lat. gray, brown, & white	Ca. 1974 storage room
(D)	Exposed aggregate	Light gray	1/4" - 1" rounded: gray, brown, & white	After 1989
(E)	Exposed aggregate	Light gray	1/2" - 1" lat. gray, brown, & white	After 1989
(F)	Exposed aggregate	Light pink gray	1/4" - 1" lat. gray, brown, & white	After 1989
(G)	Exposed aggregate	Light gray	1/4" - 1" lat. gray, brown, & white	After 1989
(H)	Exposed aggregate	Light gray	1/4" - 1" lat. gray & brown	After 1989
(I)	Exposed aggregate	Light gray	1/4" - 1/2" lat. gray	After 1989
(J)	Medium gray paint over rough towel	N.A.	N.A.	N.A.
(K)	Sand texture	Gray	N.A.	N.A.
(L)	Light gray paint over sand texture	N.A.	N.A.	N.A.

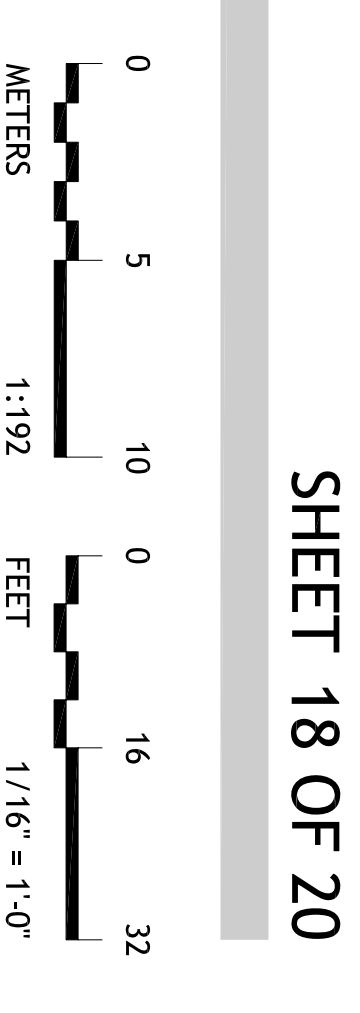
**EXISTING CONDITIONS**

- HALS Northern California Chapter  
October 2008
- HALS Documentation Notes:  
1. Existing concrete hand bridge shown on Sheet 17 was never built.  
2. Wood rectangular bridge with side planters was installed circa 1975, and is not in the style of the original garden.  
3. Wood triangular planters were added on either side of the entrance after 1989 earthquake, to act as buffers between the building and the concrete planter walls.



- LEGEND**
- LAWN
  - Light-Weight Boulder
  - Roof Vent
  - Backflow Preventer
  - Planting Area
  - Specimen Tree Location - See Sheet 19 for species
  - Building Wall
  - Landscape Wall
  - Curb
  - Concrete Paving - See this sheet for finish
  - Free-Standing Bench
  - Mounted Bench
  - Drinking Fountain
  - Ash Urn
  - Cigarette box
  - Garden Plan Map
  - Trash Receptacle
  - Path Light
  - Feature Not Shown on Original Plan

**EXISTING LAYOUT AND MATERIALS**



SHEET 18 OF 20

DELINEATED BY:  
CATE BANTON, HALS-CA  
JUDY CLARK, PGADDESIGN  
MAURA BALDWIN, PGADDESIGN

KAISER CENTER - KAISER ROOF GARDEN  
300 LAKESIDE DRIVE  
ALAMEDA COUNTY

SHS LIBRARY OF CONCRETE  
SHEET 16 OF 18  
HISTORIC AMERICAN LANDSCAPES SURVEY  
CALIFORNIA  
CA-03

IF REPRODUCED, PLEASE CREDIT THE HISTORIC AMERICAN LANDSCAPES SURVEY, NATIONAL PARK SERVICE, NAME OF DELINEATOR, DATE OF DRAWING